



Client:	
Order #:	
Project:	
Type:	

PERFORMANCE DATA

CRI

82+

CCT

4000K, 5000K

Projected Lifetime

122,000 Hours (L70);
78,000 Hours (L80)

Dimming

0-10V Dimming Standard,
100% down to 10%

Operating Temperature

-30°C to +55°C Ambient

UL Listed

Suitable for dry and damp
locations

Warranty

5 year Standard
10 year Optional

DESCRIPTION

The RUFO High Bay luminaire delivers state-of-the-art design, paired with energy efficiency for all of your commercial applications. Its unique circular form factor allows for uniform light distribution. Optimal for high ceilings, the RUFO is suitable for retail spaces, gyms, industrial spaces, transit facilities, and recreational applications. This energy efficient solution to improve high ceiling environments, provides substantial cost savings in comparison to traditional HID lighting fixtures.

FEATURES

- CRI: >80
- Clear Glass impact-resistant lens
- UL listed for wet locations; IP65 rated
- Unified Glare Rating (UGR) of less than 25
- L70 Rated Lifetime: 155,000 Hours
- Performs at up to 140 lm/W
- Eyelet Hook Mounting is standard

ORDERING INFORMATION

RUFO										
	B	C	D	E	F	G	H	I	J	

A	FIXTURE SERIES	
	RUFO	Industrial LED High Bay
B	WATTAGES/LUMENS	
	100	100W/13650 ²
	150	150W/20450 ²
	240	240W/32700 ²
	300	300W/41900 ²
	500	500W/65000 ²
C	CCT	
	40	4000K
	50	5000K
D	VOLTAGE	
	U	120-277V
E	LENS TYPE	
	C	Clear Glass

F	Finish	
	W	White
	B	Black
G	DIMMING	
	D	Dimming (0-10V)
H	OPTIONS	
	M	Motion Sensor ³
I	ACCESSORIES	
	SEE OPTIONS ON PG 2 (SHIPPED SEPARATELY)	
J	WARRANTY⁴	
	BLANK	5 Year Warranty
	10	10 Year Warranty
	10L	10 Year Warranty including labor

¹Standard for fixture
²Delivered Lumens (5000K) - For 4000K multiply by 0.95
³See additional FSP-211 Motion Sensor information on Pg 3
⁴5 Year Warranty is Standard unless specified

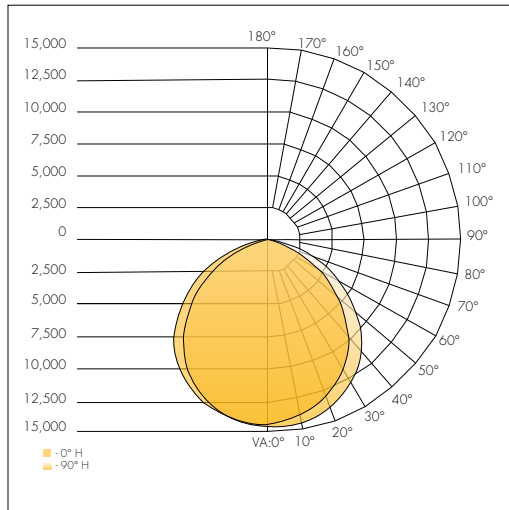


DIMENSIONS

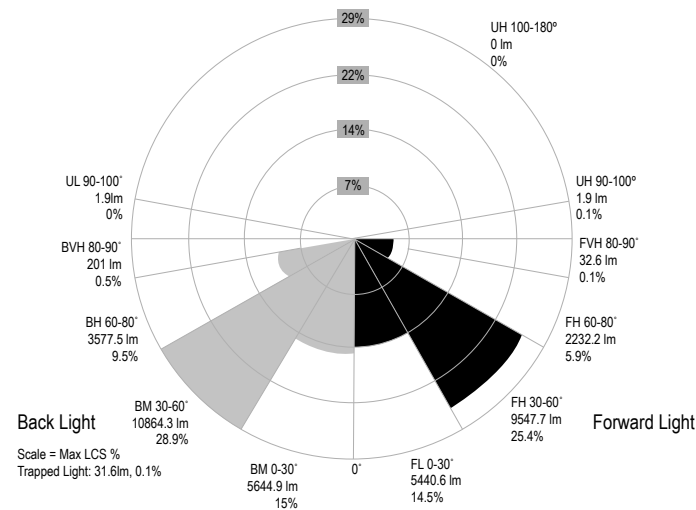
	100W	150W	240W	300W	500W
Diameter	10.3"	10.3"	10.3"	12.6"	14.2"
Height	6.1"	6.1"	6.2"	6.3"	8.7"
Weight	9.5 lbs	10.1 lbs	12.1 lbs	15.0 lbs	19.8 lbs

PHOTOMETRIC

POLAR GRAPH
300W 4000K




LCS GRAPH



ZONAL LUMEN SUMMARY

Zone	Lumens	%Lamp	%Luminaire
0-30	11,081.2	29.5%	29.5%
0-40	18,186.9	48.4%	48.5%
0-60	31,483.3	83.8%	83.9%
60-90	6,039.6	16.1%	16.1%
70-100	1,929.4	5.1%	5.1%
90-120	1.9	0%	0%
0-90	37,522.9	99.9%	100%
90-180	1.9	0%	0%
0-180	37,524.8	99.9%	100%

ACCESSORIES (ORDERED AND SHIPPED SEPARATELY)

Wire Guard		EYELET HOOK
RUFO-WG-260	Wire Guard for 100W-240W Model	
RUFO-WG-320	Wire Guard for 300W Model	
RUFO-WG-360	Wire Guard for 500W Model	
Mounting		
RUFO-YM-S	RUFO Yoke Mount 100W-300W	
RUFO-HOOK-M10	RUFO Hook- M10 (100W,150W, 300W)	
RUFO-HOOK-M12	RUFO Hook- M10 (240W,500W)	

STEP DIMMING & BI-LEVEL

FSP-211B-D

The FSP-2x1B is a family of passive infrared (PIR) outdoor sensors that raise or lower the electric lighting level to high, low or off based on motion and/ or daylight contribution. Typically, once the sensor stops detecting movement and the time delay elapses, lights will first fade to low mode, and eventually switch off. When motion is detected, the sensor ramps the light level to high mode unless the daylight contribution is sufficient.

The integral photocell can also switch the lights on and off for dusk to dawn control, so that lighting remains on overnight even without motion detection.

The sensors control 0-10VDC or nondimming LED drivers or ballasts. The low voltage FSP-201B may be used with dim-to-off drivers or ballasts.

Initial setup and subsequent sensor adjustments are made using a Wireless Handheld Configuration Tool (FSIR-100). This tool enables adjustment of sensor parameters including high/low mode, sensitivity, time delay, cut off and more.

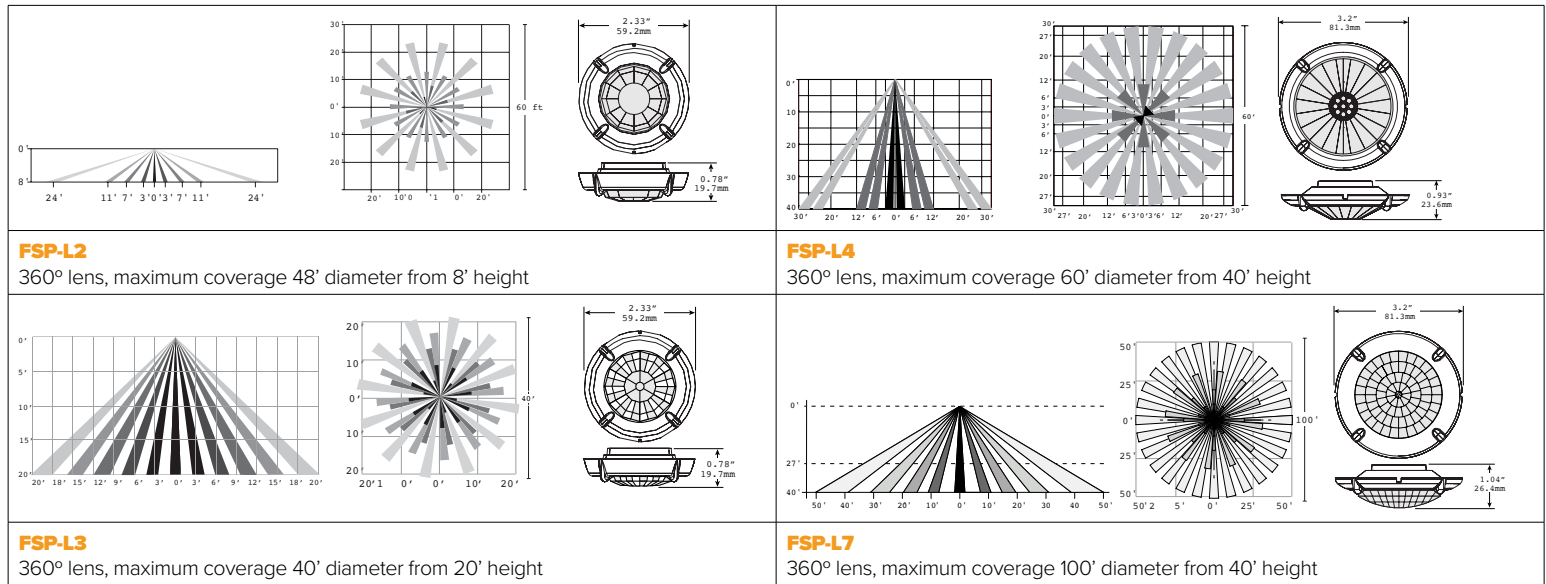
The FSIR-100 can read current parameter settings, and stores up to six sensor parameter profiles to speed commissioning of multiple sensors.

The FSP-2x1B family is available in three configurations for mounting inside a fixture, to the outside of a fixture or enclosure via a 1/2" knockout, or to a pole.



COVERAGE & DIMENSIONS

The FS-Lx lenses work with FSP-211 motion sensors to provide multi-level lighting control based on motion and the ambient light level. Four lens choices provide flexibility for varying mounting heights.



*When a Motion Sensor (M) option is ordered, the default lens type shipped with luminaire is FSP-L3. If another lens type is desired (L2, L4, or L7), it will ship separately to be changed out by the installer.