



Client:	
Order #:	
Project:	
Type:	

DESCRIPTION

The AURORA Post-Top LED Fixture blends traditional aesthetics with contemporary functionality. This fixture not only captures the essence of classic American design but also incorporates user-friendly features. With a robust solid-state platform, it ensures powerful performance and optimal heat dissipation, prolonging the lifespan of the components.

Experience excellent optical control and efficient illumination, thanks to our advanced light engine. The fixture's full cutoff design enhances its performance, offering a high-performance LED solution for a wide range of applications. Embrace the perfect amalgamation of tradition and innovation with our Post-Top LED Fixture.

FEATURES

- Conformal Coating LED light engine
- CCT: Standard-3000K, 4000K, & 5000K
- 2700K, Amber, LPS (1800K) Offered for Some Wattages – Consult Factory
- Static Colors Available – Consult Factory Optical:
- Types I* II, III, IV, V (Type I Available in 70w & Higher Only)
- Full Cutoff Electrical
- Electronic Driver, 120-277V, 50/60Hz or 347/480V, 50/60Hz
- 0-10v Dimmable Driver
- Standard Surge Protection Included (6kV Line-Line; 10k-V Line-Earth) Controls (Optional)
- Button Eye Photo Control (PC)
- House Side Shield (H) Housing
- Cast Aluminum Cage, Roof and 3" Slip Fitter Finish
- Super Durable Polyester Powder Coat Finish. Custom Finishes Available, Including Patinas and All RAL Colors. Listings & Ratings
- ETL Listed to UL 1598 Standard for Wet Location.

PERFORMANCE DATA

CRI

70+

CCT

3000K 4000K, 5000K

Projected Lifetime

>173,000 Hours (L70)
>50,000 Hours (L90)

Dimming

0-10V Dimming Standard,
10% down to 100%

Operating Temperature

-30°C to +50°C Ambient

Warranty

5 year Standard
10 year Optional

ORDERING INFORMATION

AURORA								
---------------	--	--	--	--	--	--	--	--

B

C

D

E

F

G

H

A	FIXTURE SERIES	
	Aurora	American LED Post Top Fixture
B	WATTAGE/LUMENS	
	40	40W/4288 ¹
	50	50W/5312 ¹
	60	60W/6323 ¹
	70	70W/7439 ¹
	80	80W/8496 ¹
	90	90W/9559 ¹

C	CCT	
	30	3000k
	40	4000K
	50	5000K

D	VOLTAGE	
	UNV	120-277V

E	FINISH	
	BK	Black
	BZ	Bronze
	DBZ	Dark Bronze
	WH	White
	GR	Green
	SM	Silver Metallic
	GY	Light Gray
	TBK	Textured Black*

F	DISTRIBUTION²	
	1	Type I
	2	Type II
	3	Type III
	4	Type IV
	5	Type V

G	OPTIONS	
	PC	Button Eye Photo Control
	H	House Side Shield
	N	None

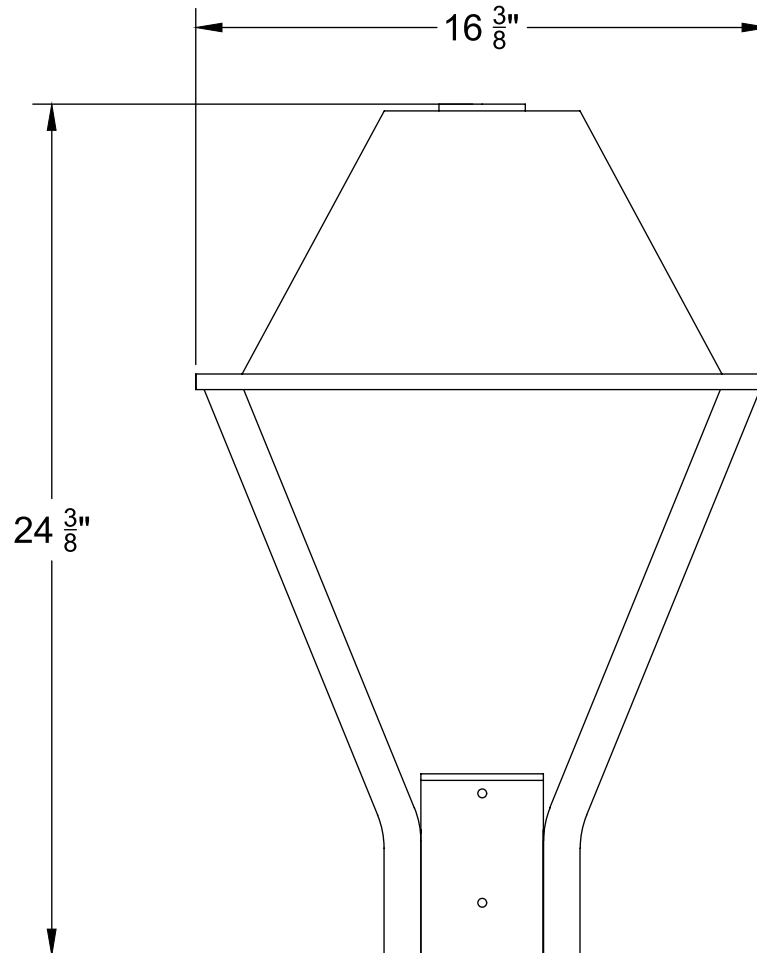
H	WARRANTY²	
	-	5 Year Warranty
	10	10 Year Warranty
	10L	10 Year Warranty including labor

¹Delivered Lumens (5000K)

² 5 Year Warranty is Standard unless specified



DIMENSIONS



AURORA LED LIGHT ENGINE SPECIFICATIONS:

Lumen Output for Keaton						
CCT	LED Module	Input Watts	Type 2	Type 3	Type 4	Type 5
5K	40W5K	40	4036	4110	4178	4288
	50W5K	50	5047	5091	5175	5312
	60W5K	60	6008	6060	6160	6323
	70W5K	70	7068	7130	7247	7439
	80W5K	80	8072	8142	8276	8496
	90W5K	90	9083	9162	9313	9559
4K	40W4K	40	3844	3877	3941	4046
	50W4K	50	4807	4848	4928	5059
	60W4K	60	5722	5772	5867	6022
	70W4K	70	6732	6790	6902	7085
	80W4K	80	7688	7755	7882	8091
	90W4K	90	8650	8726	8869	9104
3K	40W3K	40	3690	3722	3784	3884
	50W3K	50	4614	4654	4731	4856
	60W3K	60	5493	5541	5632	5781
	70W3K	70	6463	6519	6626	6802
	80W3K	80	7380	7444	7567	7767
	90W3K	90	8304	8377	8515	8740