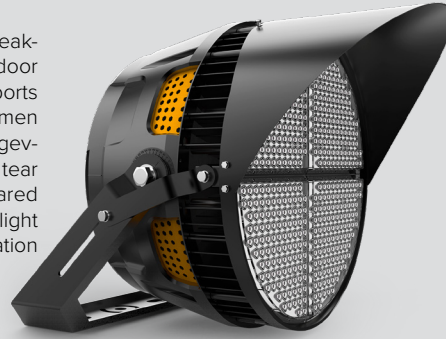


## DESCRIPTION

The Eclipse Sports Lighter establishes a groundbreaking technological benchmark for professional outdoor sports lighting. Unlike competing products, this sports light demands less power yet delivers a higher lumen output, generating less heat to enhance fixture longevity. With the elimination of movable parts, wear and tear are minimized, and it weighs only a fraction compared to competitors. Engineered optics ensure precise light direction onto the field, promoting uniform illumination while minimizing glare.



## FEATURES

- Available in 3000k, 4000k, 5000k & 5700k color temperatures.\*
- Long-life LEDs provide at least 139,000 hours of operation with at least 70% of initial lumen output (L70).\*\*
- Available models provide 39,279 to 172,272 lumens, and 114 to 153 lumens per watt (LPW).
- Two photometric distributions are available: NEMA type 3x3 (77L, 98L, and 163L models), and NEMA type 5x5 (39L, 50L, & 64L models).
- Universal 120-277AC & 200-480 AC voltage (50-60Hz) are available.
- 2-meter AC power cords are standard. 25-meter AC power cords are optional.
- Power factor > 0.90.
- Total harmonic distortion < 20%.
- Color rendering index (Ra) > 80 (39L, 50L & 64L models) or > 70 (77L, 98L, and 163L models).
- Visors and wall mounting bracket are standard. Rotating mounting bracket and laser aiming devices are accessories. Rotating bracket cannot be used with 77L, 98L, or 163L.
- Adjustable from 0° to 100° vertically, and from 0° to 120° horizontally.
- Cold forged aluminum housing with black, powder coat finish.
- High-impact, polycarbonate lens.
- Easy installation in new construction or retrofit applications.

Client:	
Order #:	
Project:	
Type:	

## PERFORMANCE DATA

### CRI

80+

### CCT

3000K, 4000K, 5000K

### Projected Lifetime

>139,000 Hours (L70)

### Dimming

0-10V Dimming Standard, 10% down to 100%

### Operating Temperature

-40°C to +50°C Ambient

### Warranty

5 year Standard  
10 year Optional

## ORDERING INFORMATION

<b>ECLIPSE</b>						
----------------	--	--	--	--	--	--

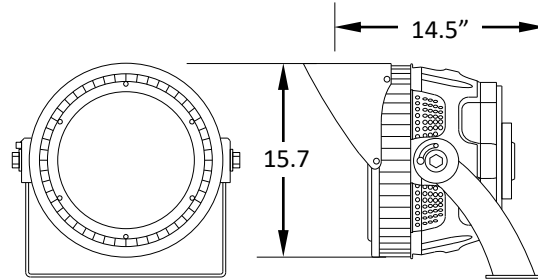
	B	C	D	E	F	G		
<b>A FIXTURE SERIES</b>	Eclipse	Sports Lighter						
<b>B WATTAGE/LUMENS</b>	305	305W/40483 <sup>1</sup>	<b>C CCT</b>	30	3000K	<b>F OPTIONS</b>	RMB	Rotating Mounting Bracket
	404	404W/51534 <sup>1</sup>		40	4000K		Blank	Standard Wall Bracket
	505	505W/66286 <sup>1</sup>		50	5000K	<b>G WARRANTY<sup>2</sup></b>	-	5 Year Warranty
	606	606W/79687 <sup>1</sup>	<b>D VOLTAGE</b>	U	120-277V		10	10 Year Warranty
	768	768W/116182 <sup>1</sup>		HVU	200-480V		10L	10 Year Warranty including labor
	1192	1192W/164633 <sup>1</sup>	<b>E FINISH</b>	BL	Black			

<sup>1</sup>Delivered Lumens (5000K)

<sup>2</sup> 5 Year Warranty is Standard unless specified

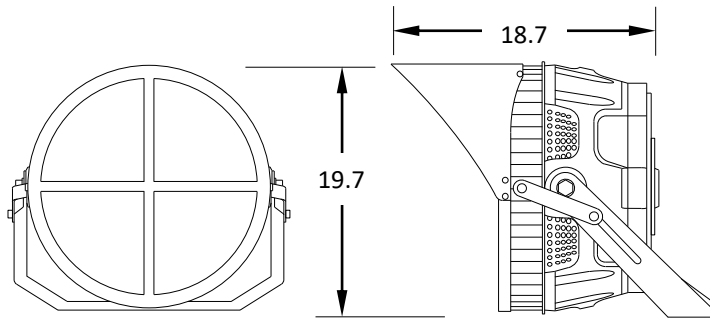
**DIMENSIONS**

**ECLIPSE-39L, ECLIPSE-50L, & ECLIPSE-64L MODELS**  
(Weight: 36 lbs.)



**ECLIPSE-77L & ECLIPSE-98L MODELS**  
(Weight: 66 lbs.)

**ECLIPSE-163L MODEL**  
(Weight: 72 lbs.)



**OTHER MOUNTING**

