



Client:	
Order #:	
Project:	
Type:	

PERFORMANCE DATA

CRI

70+ (5000K)
80+ (4000K and lower)

CCT

3000K, 3500K, 4000K, 5000K

Projected Lifetime

>100,000 Hours (L70)

Dimming

0-10V Dimming Standard,
10% down to 100%

Operating Temperature

-40°C to +55°C Ambient

Warranty

5 year Standard
10 year Optional

DESCRIPTION

The Sphere Top luminaire sets the standard in flexibility for architectural area lighting. Dome shaped, rugged, heavy-gauge, spun aluminum housing, and fully gasketed for weathertight integrity. Standard finish is dark bronze, but other architectural colors are available. The Sphere Top luminaire offers unparalleled variety in one family of fixtures. Ideal for streets, parking lots, and surrounding areas. U.L. listed and CSA certified for wet locations

FEATURES

- Spun-aluminum top is finished in polyester powder coat.
- Premium segmented optical modules.
- Heavy-duty, die-cast aluminum frame is the main load-bearing structure for arm, yoke or spider mountings.
- Thermal shock- and impact-resistant clear tempered flat glass.
- UL 1598 listed for wet locations.
- Standard color is bronze; also available in black and white. Contact factory for custom finishes.
- Die-cast aluminum door frame has concealed hinges and is flush with the bottom of the housing.

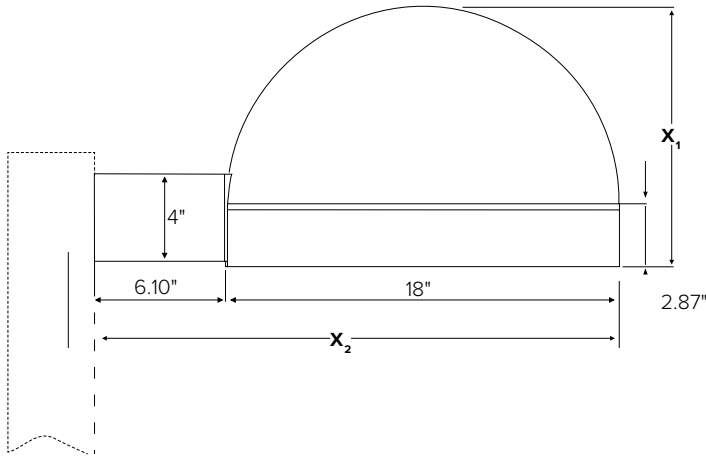
ORDERING INFORMATION

LUNAR						
--------------	--	--	--	--	--	--

	B	C	D	E	F	G
A	FIXTURE SERIES		C		F	
	Lunar	Sphere Luminaire	CCT		OPTIONS	
B	WATTAGE/LUMENS		30	3000K	SM	Smart Dim*
	20	20W/2190 ¹	35	3500K	PC	Photocell
	30	30W/3280 ¹	40	4000K	WSF	Wired Single Fuse
	40	40W/4370 ¹	50	5000K	WDF	Wired Double Fuse
	60	60W/6550 ¹	D		G	
	80	80W/8740 ¹	VOLTAGE		WARRANTY²	
	100	100W/10920 ¹	UNV	120-277V	-	5 Year Warranty
	120	120W/13110 ¹	347	347V	10	10 Year Warranty
			480	480V (Step-Down Transformer used for 347-480V)	10L	10 Year Warranty including labor
			E			
			FINISH			
			BZ	Bronze		
			BL	Black		
			WH	White		
			CU	Custom		

¹Delivered Lumens (5000K)
² 5 Year Warranty is Standard unless specified

DIMENSIONS



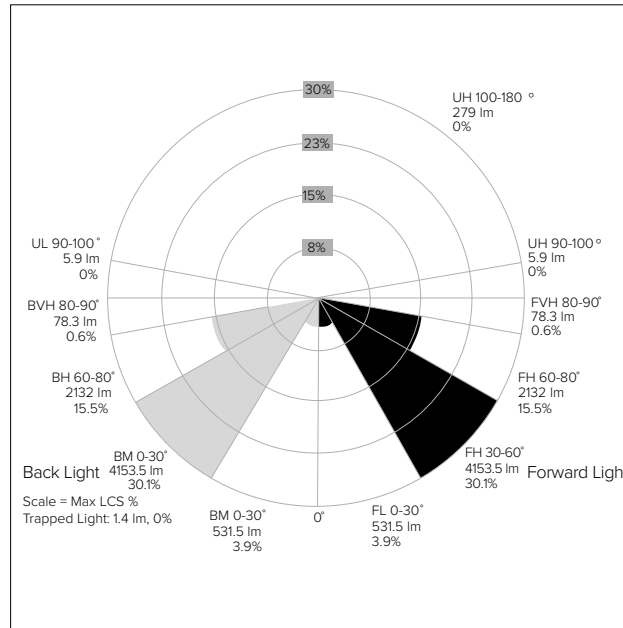
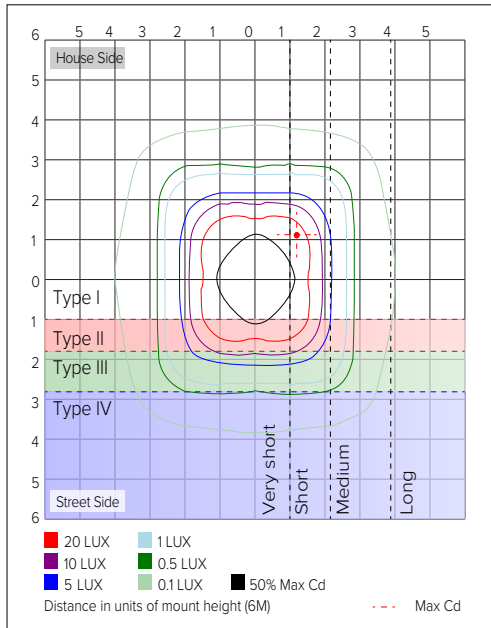
	Inches
X₁	11.88
X₂	25.19

PHOTOMETRICS

Model 120W 5000K Type 5

Lunar

LCS-Graph



Zonal Lumen Summary

Zone	Lumens	%Luminaire
0-30	1,063.6	7.7%
0-40	2,380.2	17.3%
0-60	9,371.7	67.9%
60-90	4,420.0	32%
70-100	729.7	5.3%
90-120	6.1	0%
0-90	13,791.7	100%
90-180	6.1	0%
0-180	13,797.8	100%

SMART DIM OPTIONS

Please Note: The Smart Dim option requires a control device, such as a photocell or other centralized system, in order for the unit to function properly.

Maximize energy-savings with the Dynadimmer 0-10V luminaire-based control for outdoor applications

Dynadimmer 0-10V is a lamp control device that enables high energy savings with low installation efforts. The small, stand-alone, luminaire-based device can drive a 1-10V electronic ballast to facilitate on-demand light levels and does not require an additional switching wire. The Dynadimmer 0-10V dimming schedule is flexible with up to five dimming levels and five time periods. Easy-to-operate software and programming equipment enable end users to re-program dim times and levels when and as they wish. Offering energy-efficiency and flexibility, the Dynadimmer 0-10V control is ideal for residential, roadway, parking, and industrial applications.

VIEW FULL SENSOR SPEC SHEET BELOW:

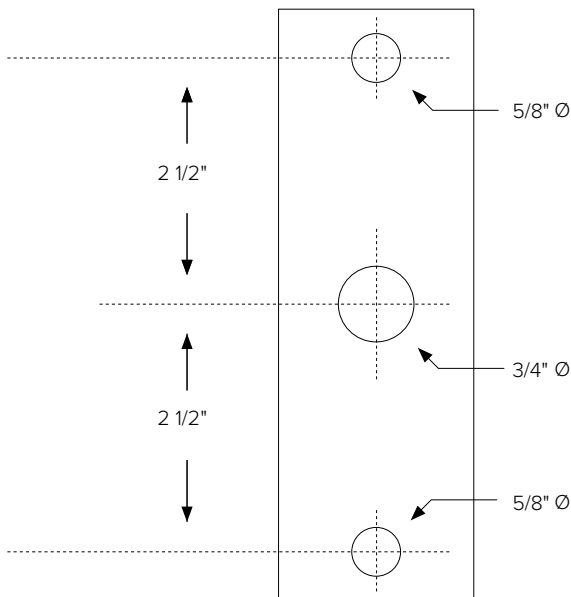
http://www.getdeco.com/wp-content/themes/deco-digital/pdf/PA-7320-B-Dynadimmer_v2_web.pdf



The Dynadimmer 0-10V solution offers:

- Reduced energy usage through dimming
- Reduced light nuisance
- Very small size; fits inside almost any luminaire
- Easy-to-use software provides a forecast of energy savings

DRILLING PATTERN

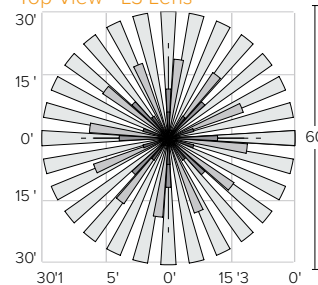


Bi-Level & Daylight Harvest PIR Sensor



- Slim, low-profile sensor is designed for installation inside the bottom of a light fixture.
- Provides multi-level control based on motion and/or daylight contribution.
- 30' range sensitivity detector.
- Works with ballasts or LED drivers.
- Adjustable light levels and stand-by time.
- Constructed out of fire retardant polycarbonate material that is UV and impact resistant.

Top View - L3 Lens



Side View - L3 Lens

