



Client:	
Order #:	
Project:	
Type:	

PERFORMANCE DATA

CRI

70+ (5000K)
80+ (4000K and lower)

CCT

3000K, 3500K, 4000K, 5000K

Projected Lifetime

>100,000 Hours (L70)

Dimming

0-10V Dimming Standard,
10% down to 100%

Operating Temperature

-40°C to +55°C Ambient

Warranty

5 year Standard
10 year Optional

DESCRIPTION

The Sphere Top Spider luminaire sets the standard in flexibility for architectural area lighting. Dome shaped, rugged, heavy-gauge, spun aluminum housing, and fully gasketed for weathertight integrity. Standard finish is dark bronze, but other architectural colors are available. The Sphere Top Spider luminaire offers unparalleled variety in one family of fixtures. Ideal for streets, parking lots, and surrounding areas. U.L. listed and CSA certified for wet locations.

FEATURES

- Spun-aluminum top is finished in polyester powder coat.
- Thermal shock- and impact-resistant clear tempered flat glass.
- Premium segmented optical modules.
- Certification CSA Listed.
- Heavy-duty, die-cast aluminum frame is the main load bearing structure for arm, yoke or spider mountings.
- UL 1598 listed for wet locations.
- Die-cast aluminum door frame has concealed hinges and is flush with the bottom of the housing.
- Standard color is bronze; also available in black and white. Contact factory for custom finishes.
- Dark Sky compliant when ordered at 3000K

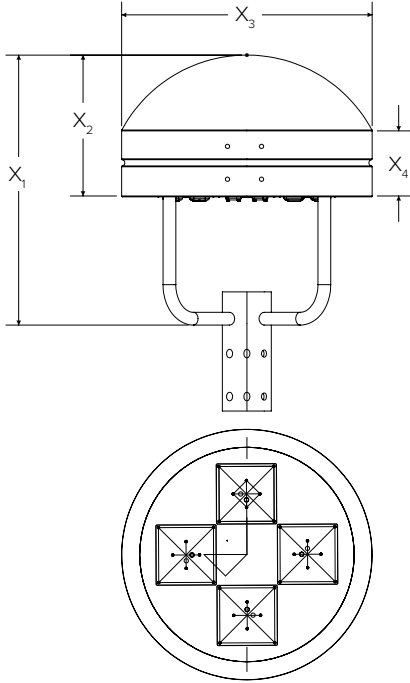
ORDERING INFORMATION

STELLAR						
----------------	--	--	--	--	--	--

A		B		C		D		E		F		G	
FIXTURE SERIES		Stellar		Sphere Spider luminaire		CCT		VOLTAGE		OPTIONS		WARRANTY²	
WATTAGE/LUMENS		20		20W/2190 ¹		30		120-277V		SM		5 Year Warranty	
		30		30W/3280 ¹		35		347V		PC		10 Year Warranty	
		40		40W/4370 ¹		40		480V		WSF		10 Year Warranty including labor	
		60		60W/6550 ¹		50		480V (Step-Down Transformer used for 347-480V)		WDF			
		80		80W/8740 ¹						SC			
		100		100W/10920 ¹						LS			
		120		120W/13110 ¹									
						FINISH							
						BZ		Bronze					
						BL		Black					
						WH		White					
						CU		Custom					

¹Delivered Lumens (5000K)
² 5 Year Warranty is Standard unless specified

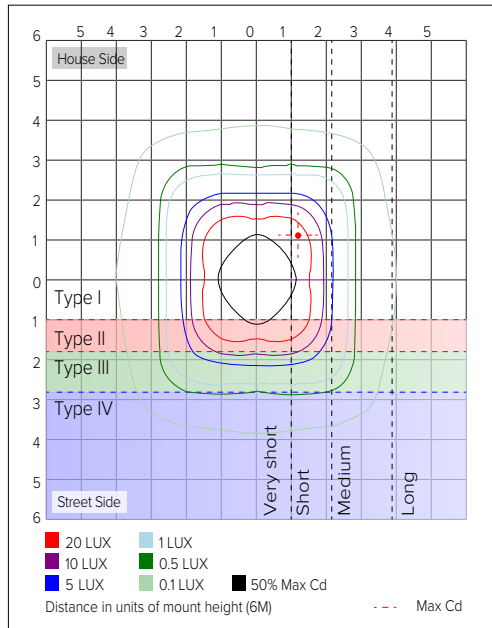
Dimensions



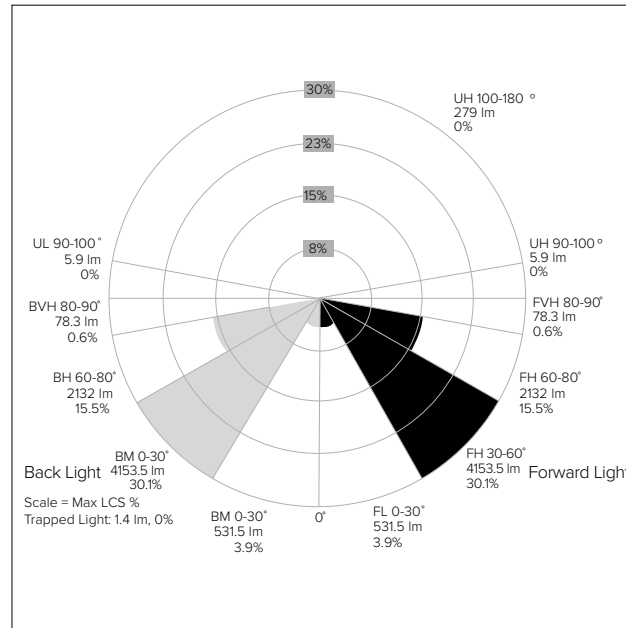
	Inches
X ₁	23.11
X ₂	11.88
X ₃	Ø18
X ₄	2.87

Photometrics

Model 120W 5000K Type 5
Stellar



LCS-Graph



Zonal Lumen Summary

Zone	Lumens	% Luminaire
0-30	1,063.6	7.7%
0-40	2,380.2	17.3%
0-60	9,371.7	67.9%
60-90	4,420.0	32%
70-100	729.7	5.3%
90-120	6.1	0%
0-90	13,791.7	100%
90-180	6.1	0%
0-180	13,797.8	100%

SMART DIM OPTIONS

Please Note: The Smart Dim option requires a control device, such as a photocell or other centralized system, in order for the unit to function properly.

Maximize energy-savings with the Dynadimmer 0-10V luminaire-based control for outdoor applications

Dynadimmer 0-10V is a lamp control device that enables high energy savings with low installation efforts. The small, stand-alone, luminaire-based device can drive a 1-10V electronic ballast to facilitate on- demand light levels and does not require an additional switching wire. The Dynadimmer 0-10V dimming schedule is flexible with up to five dimming levels and five time periods. Easy-to-operate software and programming equipment enable end users to re-program dim times and levels when and as they wish. Offering energy-efficiency and flexibility, the Dynadimmer 0-10V control is ideal for residential, roadway, parking, and industrial applications.

VIEW FULL SENSOR SPEC SHEET BELOW:

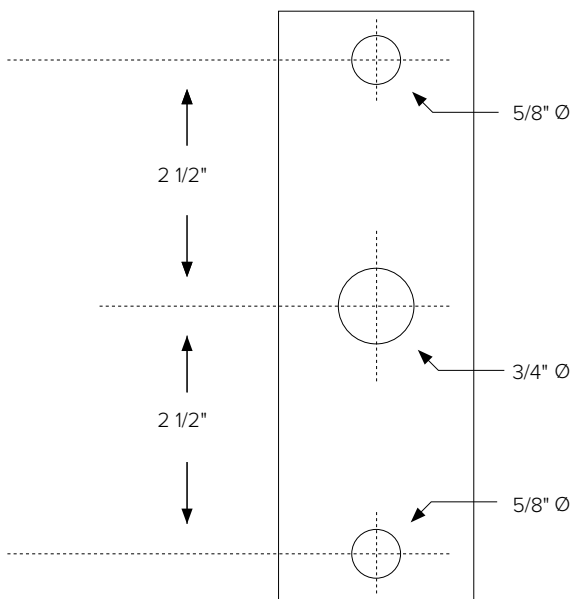
http://www.getdeco.com/wp-content/themes/deco-digital/pdf/PA-7320-B-Dynadimmer_v2_web.pdf



The Dynadimmer 0-10V solution offers:

- Reduced energy usage through dimming
- Reduced light nuisance
- Very small size; fits inside almost any luminaire
- Easy-to-use software provides a forecast of energy savings

DRILLING PATTERN

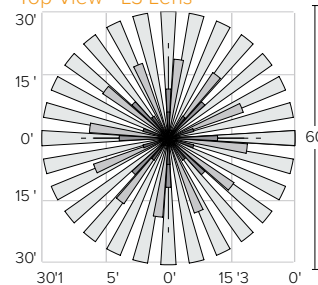


Bi-Level & Daylight Harvest PIR Sensor



- Slim, low-profile sensor is designed for installation inside the bottom of a light fixture.
- Provides multi-level control based on motion and/or daylight contribution.
- 30' range sensitivity detector.
- Works with ballasts or LED drivers.
- Adjustable light levels and stand-by time.
- Constructed out of fire retardant polycarbonate material that is UV and impact resistant.

Top View - L3 Lens



Side View - L3 Lens

