



Client:	
Order #:	
Project:	
Type:	

DESCRIPTION

The HERMES fixtures excel at reducing glare and eliminating LED pixilation for unmatched comfort. Illuminate entryways, open areas, and communal spaces effortlessly with HERMES. Choose from our variety of mounting options to effortlessly complement any architectural design.

FEATURES

- Innovative quick-mount system.
- Fixture mounts to a square or octagonal 4" surface or recessed j-box.
- Optional pendant-mount installation available.
- Five stage chromate-conversion powder paint manufacturing process provide long-life and combat against the elements.
- Precisely controlled light performance provide best in class visual comfort as well as highly efficient efficacy.
- Options Multi-Dimming occupancy sensing reduces energy loss.
- Optional Clamp Band and Flat Glass with adder.
- Options with 347V with adder.
- Optional with 10kV surge protector / photo control.

PERFORMANCE DATA

CRI

70+

CCT

4000K, 5000K

Projected Lifetime

L90 - 100,000 hours @ 85°C
L70 - 150,000 hours @ 85°C

Dimming

0-10V Dimming Standard,
10% down to 100%

Operating Temperature

-40°C to 50°C Ambient

Warranty

5 year Standard
10 year Optional

ORDERING INFORMATION

HERMES								
	B	C	D	E	F	G	H	

A	FIXTURE SERIES	
	HERMES	SURFACE MOUNT CANOPY LIGHT
B	WATTAGE/LUMENS	
	36	36W/4541 ¹
	64	64W/7218 ¹
	71	71W/8446 ¹
C	CCT	
	40	4000K
	50	5000K
D	VOLTAGE	
	UNV	120-277V

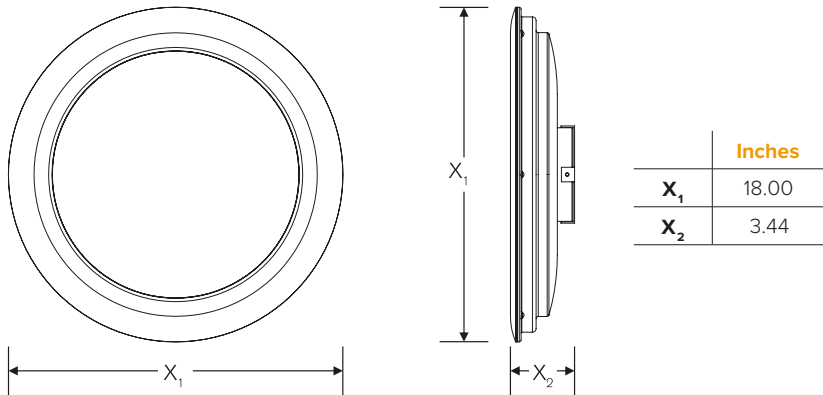
E	MOUNTING	
	SU	Surface Mount
	Sx	Stem (Length)
	FCAO	CCT Tunable Controller
F	FINISH	
	WH	White
	BZ	Bronze

G	OPTIONS	
	XS	10K Surge Protector
	OS	Occupancy Sensor
	PE	Photocell
H	WARRANTY²	
	-	5 Year Warranty
	10	10 Year Warranty
	10L	10 Year Warranty including labor

¹Delivered Lumens (5000K Type 3)
² 5 Year Warranty is Standard unless specified



DIMENSIONS

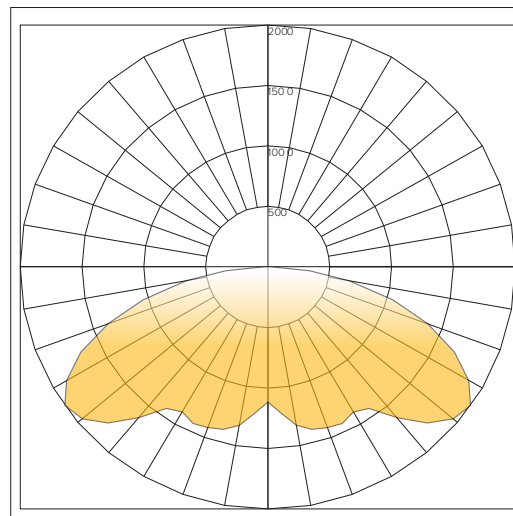


LUMEN CHART

Wattage	Lumens	
	4000K	5000K
36	4459	4550
64	7056	7200
71	8281	8450

PHOTOMETRIC - POLAR GRAPH

Polar Graph- 71W 5000K



Delivered Lumens: 8301

DETAILED VIEW

