



Client:	
Order #:	
Project:	
Type:	

FEATURES

- Field selectable 4000k (neutral white) and 5000k (cool white) color temperatures.*
- Long-life LEDs provide 134,000 hours of operation with at least 70% of initial lumen output (L70), and 40,000 hours with at least 90% of initial lumen output (L90).**
- LED color maintenance < 0.003 chromaticity shift ($\Delta u'v'$) over the initial 6,000 hours of operation.
- Tri-lumen selectable delivers 12,000 to 60,000 nominal lumens (see lumen table on page 3).***
- Screw in sensor ready. Sensor and remote control sold separately. Remote control required to change factory sensor settings.
- Emergency driver option available.
- Medium distribution is standard with optional narrow or wide distribution lenses.
- Universal 120-277V AC voltage (50-60Hz) is standard. 347-480V achieved with step-down transformers is optional.
- 0-10vdc dimming drivers are standard.
- Power factor > 0.90.
- Total harmonic distortion < 20%.
- Color rendering index > 80.
- Painted steel housing (stamped) and polycarbonate lenses are standard.
- Wire guards available.

PERFORMANCE DATA

CRI

80+

CCT

4000K, 5000K

Projected Lifetime

>134,000 Hours (L70)
>40,000 Hours (L90)

Dimming

0-10V Dimming Standard,
10% down to 100%

Operating Temperature

-40°C to +50°C Ambient

Warranty

5 year Standard
10 year Optional

ORDERING INFORMATION

RFHB						
-------------	--	--	--	--	--	--

	B	C	D	E	F	G
A	FIXTURE SERIES					
	RFHB	Affordable Warehouse High Bay				
B	WATTAGE/LUMENS RFHB-2L					
	77	77W/12307 ¹				
	98	98W/15071 ¹				
	123	123W/18421 ¹				
	WATTAGE/LUMENS RFHB-5L					
	96	96W/15557 ¹				
	117	117W/18477 ¹				
	158	158W/24241 ¹				
	WATTAGE/LUMENS RFHB-4L					
	155	155W/24854 ¹				
	197	197W/30299 ¹				
	242	242W/36076 ¹				
	WATTAGE/LUMENS RFHB-6L					
	241	241W/38465 ¹				
	317	317W/49009 ¹				
	412	412W/61319 ¹				
C	CCT					
	40	4000K				
	50	5000K				
D	VOLTAGE					
	U	120-277V				
	H	347/480V				
E	FINISH					
	WH	White				
F	FACTORY INSTALLED CONTROL OPTIONS²					
	AVI-LV-FA	Avi-on wireless fixture control				
	AVI-LV-FA-PIR-ELB	Avi-on wireless fixture control with PIR motion and daylight sensor, end mount				
G	WARRANTY³					
	-	5 Year Warranty				
	10	10 Year Warranty				
	10L	10 Year Warranty including labor				

¹ Delivered Lumens (5000K)

² See Page 4

³ 5 Year Warranty is Standard unless specified

PHOTOMETRIC DATA

RFHB-2L

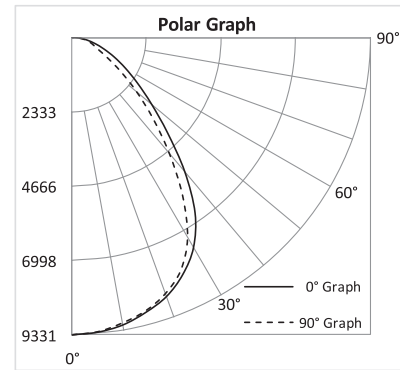
Luminaire Data

Description	Linear High Bay Lumen/Kelvin Selectable
Total Lumens	18,423
Input Wattage	123
Efficacy (lm/W)	150
Spacing Criterion (0-180°)	1.22
Spacing Criterion (90-270°)	1.18

Photometrics calculated at
5000k - high lumens setting

Zonal Lumen Summary

Zone	Lumens	%Fixt
0-20°	3,402	18.5%
0-30°	7,155	38.8%
0-40°	11,161	60.6%
20-50°	10,840	58.8%
40-70°	6,281	34.1%
0-60°	16,247	88.2%
0-80°	18,156	98.6%
0-90°	18,423	100.0%
90-180°	0	0.0%
0-180°	18,423	100.0%



RFHB-5L

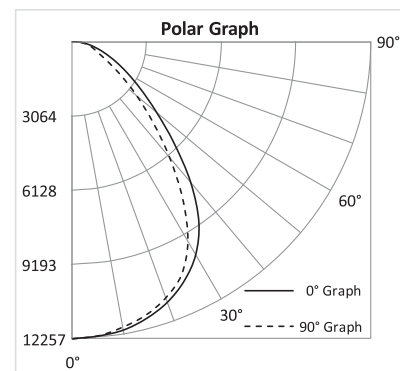
Luminaire Data

Description	Linear High Bay Lumen/Kelvin Selectable
Total Lumens	24,269
Input Wattage	158
Efficacy (lm/W)	153
Spacing Criterion (0-180°)	1.24
Spacing Criterion (90-270°)	1.18

Photometrics calculated at
5000k - high lumens setting

Zonal Lumen Summary

Zone	Lumens	%Fixt
0-20°	4,468	18.4%
0-30°	9,398	38.7%
0-40°	14,661	60.4%
20-50°	14,249	58.7%
40-70°	8,283	34.1%
0-60°	21,353	88.0%
0-80°	23,902	98.5%
0-90°	24,269	100.0%
90-180°	0	0.0%
0-180°	24,269	100.0%



RFHB-4L

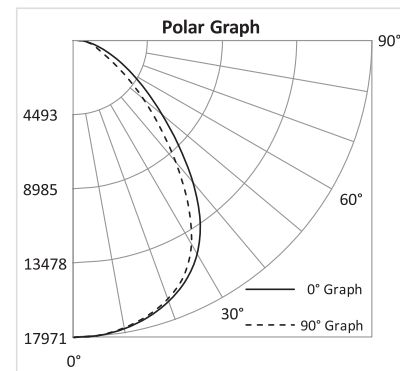
Luminaire Data

Description	Linear High Bay Lumen/Kelvin Selectable
Total Lumens	36,087
Input Wattage	242
Efficacy (lm/W)	149
Spacing Criterion (0-180°)	1.24
Spacing Criterion (90-270°)	1.18

Photometrics calculated at
5000k - high lumens setting

Zonal Lumen Summary

Zone	Lumens	%Fixt
0-20°	6,560	18.2%
0-30°	13,802	38.2%
0-40°	21,585	59.8%
20-50°	21,143	58.6%
40-70°	12,526	34.7%
0-60°	31,718	87.9%
0-80°	35,540	98.5%
0-90°	36,087	100.0%
90-180°	0	0.0%
0-180°	36,087	100.0%



RFHB-6L

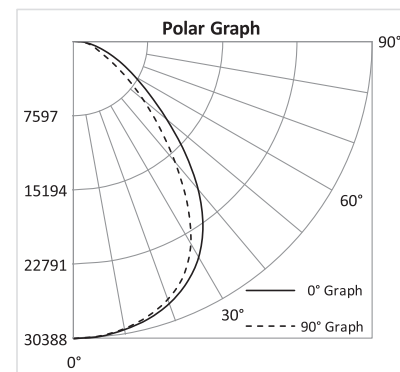
Luminaire Data

Description	Linear High Bay Lumen/Kelvin Selectable
Total Lumens	61,323
Input Wattage	412
Efficacy (lm/W)	149
Spacing Criterion (0-180°)	1.24
Spacing Criterion (90-270°)	1.18

Photometrics calculated at
5000k - high lumens setting

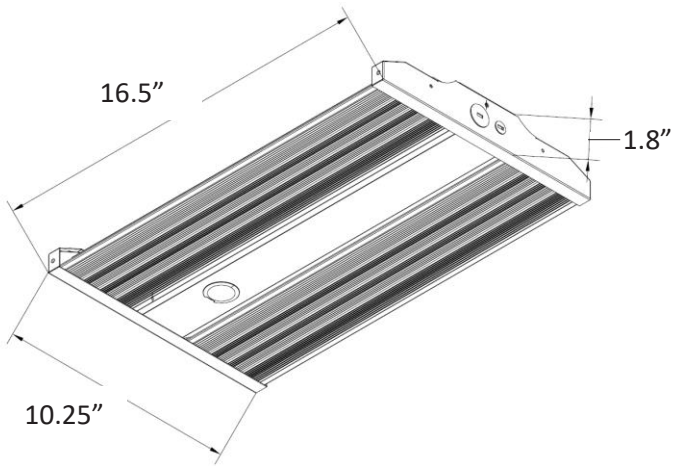
Zonal Lumen Summary

Zone	Lumens	%Fixt
0-20°	11,100	18.1%
0-30°	23,335	38.1%
0-40°	36,491	59.5%
20-50°	35,901	58.5%
40-70°	21,535	35.1%
0-60°	53,908	87.9%
0-80°	60,446	98.6%
0-90°	61,323	100.0%
90-180°	0	0.0%
0-180°	61,323	100.0%

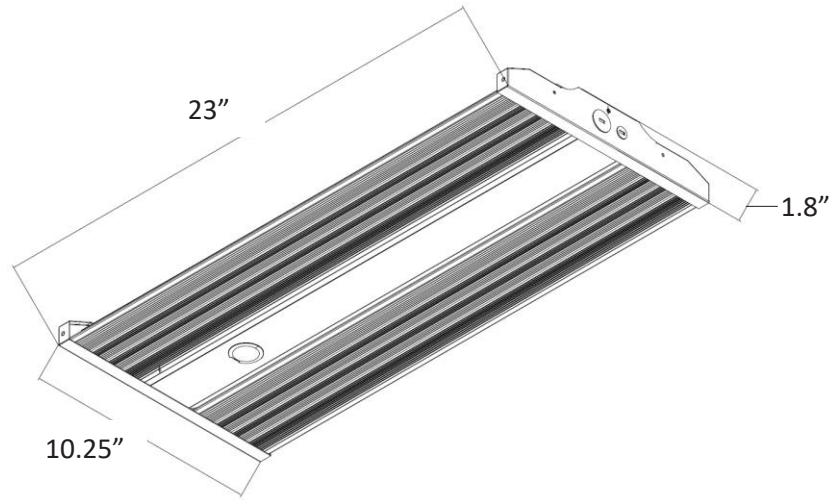


DIMENSIONS

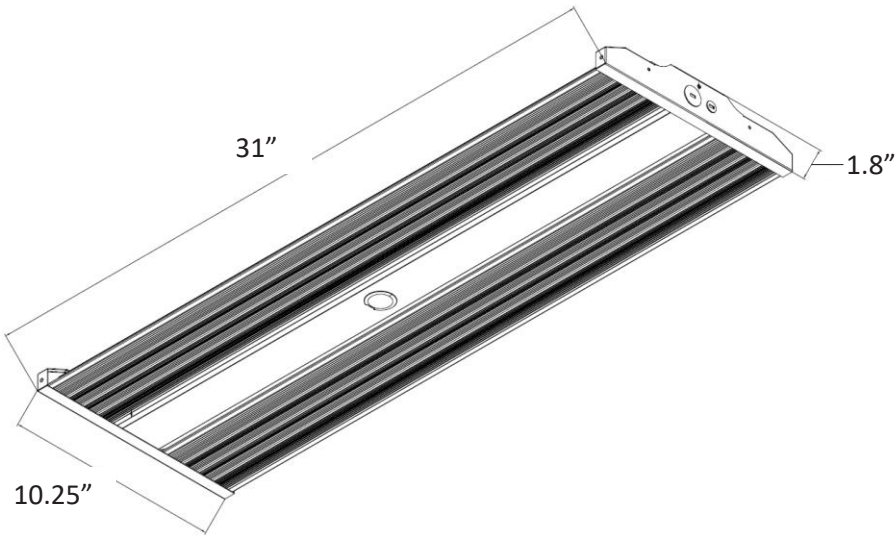
RFHB-2L



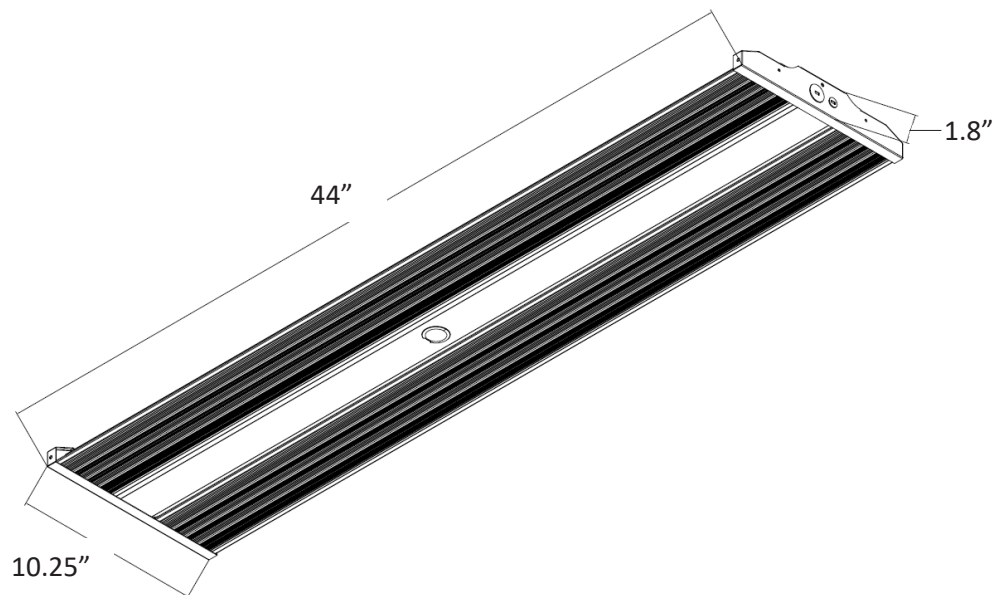
RFHB-5L



RFHB-4L



RFHB-6L



SENSOR AND CONTROLS ORDERING INFORMATION**Integrated in Fixture Body:**

VL40B=

Vealite Keilton: PIR Occupancy Sensor, Photosensor, High and Low End Trim, 0-10V Dimming, IR Remote Programmable10

VBM40B=

Vealite Keilton Bluetooth Mesh: Wireless Fixture Controller, PIR Occupancy Sensor, HIGH/LOW/OFF, 0-10V Dimming, Daylight Harvesting, High End Trim, Luminaire Level Lighting Control, Wireless Zones, Time-of-Day Scheduling, Keilton Mobile App Programmable

WSxxB=

Wattstopper PIR Occupancy Sensor, HIGH/LOW/OFF, 0-10V Dimming, Switching Photosensor, IR Remote Programmable, 360° 9, 10

EN2=

Enlighted Connected Lighting Sensor: Network Lighting Control Component, PIR Occupancy Sensor, Daylight Harvesting, High End Trim, Dimming Modes, Luminaire Level Lighting Control, Wireless Zones, Modified IEEE 802.15.4.1, BLE Radio, Temperature Sensor, Scene Control, Demand Response, Data Collection, BMS Integration, Cloud Access

EN3=

Enlighted IoT:

All Features of EN2 - PLUS access to Apps: Space Management, Asset Tracking, and Contact Tracing Apps

End Mounted:

LV40=

Leviton OSFHU: PIR Occupancy Sensor, ON/OFF, Manual Programmable, 20 & 40 ft. Lenses

LD40=

Leviton HB011: PIR Occupancy Sensor, Daylight Harvesting, 0-10V Dimming Modes, Manual Programmable, 20 & 40 ft. Lenses11

WBxx=

Wattstopper FSP-3x1: PIR Occupancy Sensor, Daylight Harvesting, High and Low End Trim, 0-10V Dimming, Bluetooth Mobile App Programmable9