

Client:	
Order #:	
Project:	
Type:	

DESCRIPTION

RECP, is a cost-effective, energy-saving LED light Canopy fixture for surface mount applications in commercial buildings, retail, and educational facilities. Thin design, though, the housing provides excellent heat dissipation which prolongs it's lifespan. The precision-designed optical lens reduces glare, improves optical performance and provides comfortable lighting effects. The RECP is equipped with an external quick-mounting plate suitable for standard J-BOX mount and also compatible with 3/4" pendant mount, with 1/2" knock-out holes reserved on three sides, suitable for surface conduit wiring installation. RECP also has high return benets, it supports 4 lumen package selectable (100%, 80%, 60%, 40%); and Three CCTs selectable (3000K, 4000K, 5000K).

FEATURES

- One-piece die-cast aluminum housing secures the thermally conductive LED panel and electrical chamber.
- Casting thermally conducts LED heat to optimize performance and long life.
- With corrosion-resistant powder coating that provides protection and architectural appearance while adapting well to the environment in the garage.
- Light engines are available in color tunable version, the CCT can be changed to 3000K/4000K/5000K.
- Scalable Lumen Packages from 3,700 to 16,500 Lumens.
- Anti-UV prismatic translucent lens is designed to shape the light distribution and uniformity.

PERFORMANCE DATA

CRI

70+

CCT

4000K, 5000K

Projected Lifetime

>50,000 Hours (L70)

Dimming

0-10V Dimming Standard,
10% down to 100%

Operating Temperature

-40°C to 50°C Ambient

Warranty

5 year Standard
10 year Optional

ORDERING INFORMATION

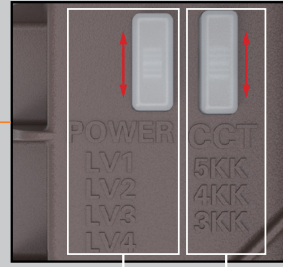
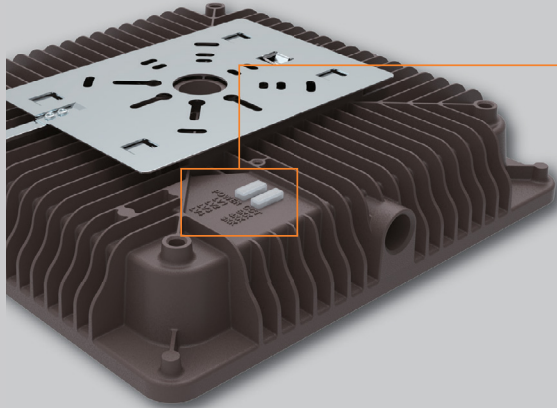
RECP						
-------------	--	--	--	--	--	--

	B	C	D	E	F	G
A	FIXTURE SERIES					
	RECP					
B	WATTAGE/LUMENS RECP - 60					
	24	24W/3800 ¹				
	36	36W/5300 ¹				
	47	47W/6600 ¹				
	60	60W/8000 ¹				
	WATTAGE/LUMENS RECP - 110					
	41	41W/7000 ¹				
	63	63W/10000 ¹				
	85	85W/13000 ¹				
	110	110W/16000 ¹				
C	CCT					
	40	4000K				
	50	5000K				
D	VOLTAGE					
	U	120-277V				
E	FINISH					
	BL	Black				
	WH	White				
	BZ	Dark Bronze				
	CU	Custom				
F	SENSOR					
	M	With Sensor				
	Blank	Without Sensor				
G	WARRANTY²					
	-	5 Year Warranty				
	10	10 Year Warranty				
	10L	10 Year Warranty including labor				

¹Delivered Lumens (5000K)

² 5 Year Warranty is Standard unless specified





CCT AND WATTAGE SELECTABLE
This fixture has the function of adjusting the lumens output and color temperature on-site.

WATTAGE SELECT

40% 60% 80% 100%

Each model supports 4 positions wattage regulation :
100%, 80%, 60%, 40%

CCT SELECT

3000K 4000K 5000K

Offer three CCT adjustable (3000K, 4000K, 5000K).



Mounting Bracket

Suitable for J-BOX mounting, and easy for installation, also support pendant mounting, wires coming out from the back for easier wire connections.

1/2inch knock hole

Support wires coming from the hole for easier wire connections.
Optional PIRsensor and Emergency Battery.



Built in sensor

Microwave sensor, compact sized, DC input, and remote control.
Optional daylight function with sensitive sensing when detect movement.

Photometry

Parking Garage Photometry and polycarbonate optical lens with heat resisting.

Housing

One piece die cast housing better waterproofing, suitable for both indoor and outdoor application.

PERFORMANCE DATA

RECP - 60							
SETTING	SETTING WATTS	3000K		4000K		5000K	
		LUMENS	LPW	LUMENS	LPW	LUMENS	LPW
100%	60W	7800lm	130 lm/W	8400lm	140 lm/W	8000lm	133 lm/W
80%	47W	6500lm	138 lm/W	7000lm	149 lm/W	6600lm	140 lm/W
60%	36W	5200lm	144 lm/W	5600lm	156 lm/W	5300lm	147 lm/W
40%	24W	3700lm	154 lm/W	4000lm	167 lm/W	3800lm	158 lm/W

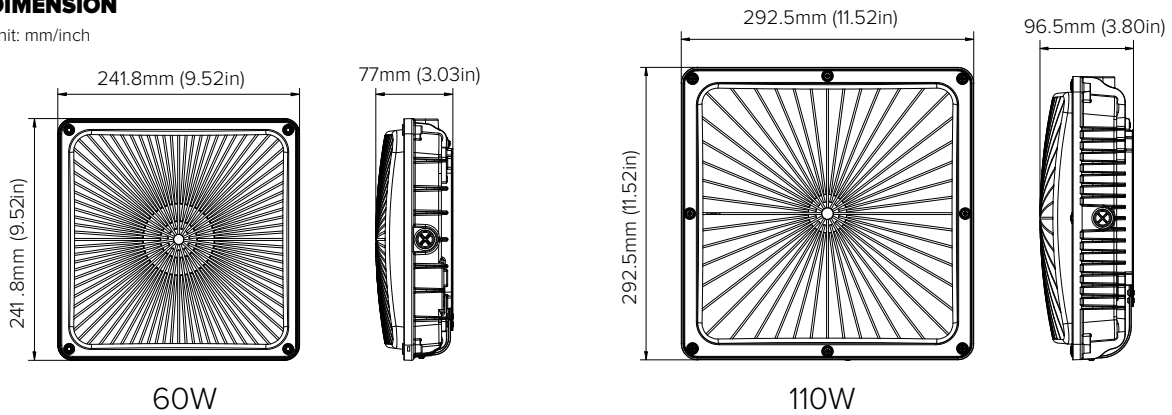
RECP - 110							
SETTING	SETTING WATTS	3000K		4000K		5000K	
		LUMENS	LPW	LUMENS	LPW	LUMENS	LPW
100%	110W	15500lm	141 lm/W	16500lm	150 lm/W	16000lm	145 lm/W
80%	85W	12800lm	151 lm/W	13600lm	160 lm/W	13000lm	153 lm/W
60%	63W	9800lm	156 lm/W	10500lm	167 lm/W	10000lm	159 lm/W
40%	41W	6800lm	166 lm/W	7200lm	176 lm/W	7000lm	171 lm/W

ELECTRICAL DATA

NUMBER OF DRIVERS	DRIVER CURRENT (mA)	NOMINAL POWER (W)	INPUT VOLTAGE (V)	CURRENT (Amps)
1	900	60	120	0.50
		60	208	0.29
		60	240	0.25
		60	277	0.22
		60	347	0.17
1	850	110	120	0.92
		110	208	0.53
		110	240	0.46
		110	277	0.40
		110	347	0.32

DIMENSION

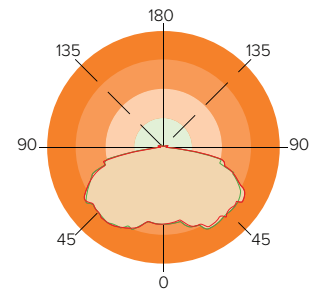
unit: mm/inch



MOUNTING



PHOTOMETRICS



ACCESSORIES (Optional)

		
Emergency Battery Backup Description: 5W 800lm 90min	PIR Sensor, 120-277V Description: External sensor can be pre-installed in factory or field installed.	Microwave Sensor, 12V Description: Sensor can be built-in fixture.