

Client:	
Order #:	
Project:	
Type:	



**PERFORMANCE DATA**

**CRI**

80+

**CCT**

3000K, 3500K, 4000K

**Projected Lifetime**

>50,000 Hours (L80)

**Dimming**

0-10V Dimming Standard,  
10% down to 100%

**Operating Temperature**

-20°C to +40°C Ambient

**Warranty**

5 year Standard  
10 year Optional

**DESCRIPTION**

Introducing the RDL-4RW (4" R Wall Wash) ARCHITECTURAL series — a versatile and high-performance luminaire designed for seamless installation across various spaces. With impressive lumen outputs, precise cut-offs, and a patented design eliminating the need for a can, these fixtures offer a cost-effective and time-saving solution. The common aesthetic and identical light sources ensure color uniformity (CRI 80), providing a comprehensive lighting solution for any setting. Elevate your space with the efficiency and brilliance of the RDL-4RW series.

**FEATURES**

- UL, CUL, Energy Star and Damp Rated
- 40W maximum with 4", 6", 8" and 10" trim size options
- Available in round, square, round wall wash and square wall wash trims
- Twist-lock modular design
- Integrated J-box for direct wire, eliminated recessed can
- CCT adjustable and wattage selectable
- New construction frame kit available
- **Patented PureConnect™**

**ORDERING INFORMATION**

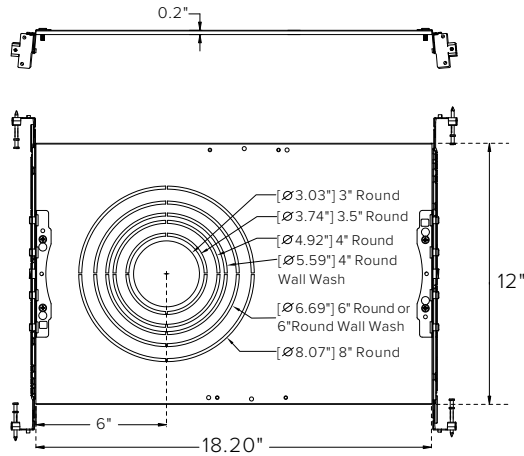
<b>RDL-4RW</b>						
----------------	--	--	--	--	--	--

	B	C	D	E	F	G
<b>A</b>	<b>FIXTURE SERIES</b>		<b>C</b>		<b>OPTIONS</b>	
	RDL-4RW	<b>CCT</b>		EM LED Emergency Driver		
<b>B</b>	<b>WATTAGE/LUMENS</b>		30 3000K	SFK 4"-6" New Construction Square Frame Kit		
	20 20W/1500 <sup>1</sup>	35 3500K	40 4000K	SFKJ 4"-6" New Construction Square Frame Kit With J-Box		
	40 40W/3200 <sup>1</sup>	<b>D</b>		<b>G</b>		
		<b>VOLTAGE</b>		<b>WARRANTY<sup>2</sup></b>		
		UNV 120-277V	<b>E</b>		- 5 Year Warranty	
		<b>E</b>		10 10 Year Warranty		
		<b>FINISH</b>		10L 10 Year Warranty including labor		
		WH White				
		HZ Haze				

<sup>1</sup>Delivered Lumens (4000K)

<sup>2</sup> 5 Year Warranty is Standard unless specified

### DIMENSIONS



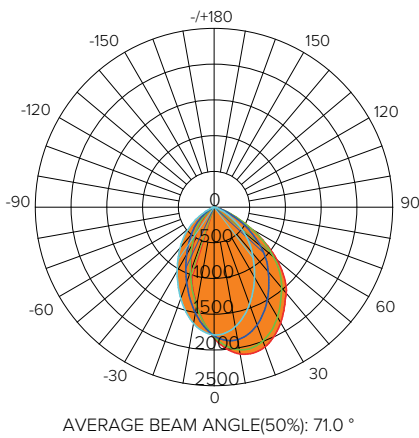
### OPTIONAL NEW CONSTRUCTION FRAME KITS



### OPTIONAL NEW CONSTRUCTION FRAME KITS WITH J-BOX



### 4" WALL WASH RDL-R4W



Test Number: CP6-D40W-30W-C  
Lumens: 2949.1 Lm  
Watts: 40 W  
LPW: 73.73 Lm/W  
CCT: 3000K

UNIT: cd  
— C0/180,69.2°  
— C30/210,70.4°  
— C60/240,72.4°  
— C90/270,72.2°

#### Zonal Flux Diagram

Y	C0	C45	C90	C135	C180
10	2085	1962	1700	1461	1397
20	2080	1892	1449	1069	944.4
30	1866	1658	1132	716.4	584.0
40	1572	1343	828.3	446.7	318.6
50	1152	1001	540.1	222.7	107.6
60	593.4	562.8	253.7	36.59	12.99
70	169.5	186.5	59.76	4.875	5.799
80	4.680	16.81	1.576	1.973	2.586
90	0.0996	0.0631	0.0831	0.1709	0.1311
100	0.0811	0.0677	0.1123	0.2708	0.3476
110	0.0812	0.1309	0.3018	0.6949	0.9297
120	0.2162	0.3294	0.7163	1.394	1.832
130	0.4958	0.6814	1.271	2.125	2.851
140	0.9914	1.173	1.857	2.832	3.771
150	1.650	1.822	2.520	3.504	4.325
160	2.502	2.603	3.201	3.991	4.613
170	3.422	3.432	3.765	4.225	4.744
180	4.216	4.104	4.000	4.054	4.230
DEG	LUMINOUS INTENSITY:cd				

#### Zonal Lumens

Y	φ total
0-10	166.4
10-20	610.3
20-30	1207
30-40	1830
40-50	2383
50-60	2750
60-70	2907
70-80	2940
80-90	2941
90-100	2941
100-110	2942
110-120	2942
120-130	2943
130-140	2945
140-150	2946
150-160	2948
160-170	2949
170-180	2949
	UNIT: lm

#### Luminance cd/(m2)

G(DEG)	C0/180	C90/270
85	182	531
80	1526	514
75	14095	3272
70	28056	9893
65	45639	18782
60	67192	28730
55	86754	38552
50	101454	47569
45	111057	55165

#### ENGINE

