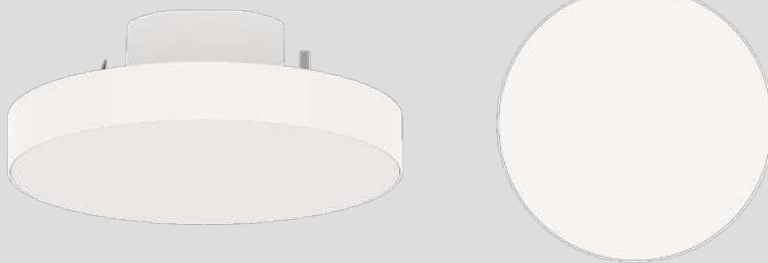


Client:	
Order #:	
Project:	
Type:	



**DESCRIPTION**

RSDL is a versatile surface mount LED downlight suitable for wet locations. With both 5" and 9" diameter options to cover existing fixture footprints the RSDL can be used in both retrofit and new construction applications. With five CCT options and three selectable wattage options this versatile downlight can solve many applications while reducing the number of fixture types needed in inventory. With a CRI greater than 90 colors appear vibrant and true to intended design making this luminaire suitable for retail and architectural applications where color rendering is critical.

**FEATURES**

**CONSTRUCTION:**

- Trimless design
- 5in and 9in Round
- 0.79" height after installed
- Quick installation with spring
- Suitable for 3in and 4in Octagonal plastic J-BOX and 4in square metallic J-BOX
- Suitable for wet location

**ELECTRICAL:**

- 120V or 120-277V AC Voltage 50/60Hz
- TRIAC/ELV or 0-10V 10-100% smooth dimming
- Power factor: > 0.9
- L70 Calculated Life: >50k hours
- Low noise <24dB
- 0-10V and Dimming to off

**PERFORMANCE DATA**

**CRI**

90+

**CCT**

2700K, 3000K, 3500K, 4000K, 5000K

**Projected Lifetime**

>50,000 Hours (L80)

**Dimming**

0-10V Dimming Standard, 10% down to 100%

**Operating Temperature**

-25°C to +40°C Ambient

**Warranty**

5 year Standard  
10 year Optional

**ORDERING INFORMATION**

<b>RSDL</b>						
-------------	--	--	--	--	--	--

**B**

**C**

**D**

**E**

**F**

**G**

<b>A</b>	<b>FIXTURE SERIES</b>	
RSDL	Surface Mount Downlight	
<b>B</b>	<b>SIZE</b>	
5	5 in Diameter	
9	9 in Diameter	
<b>C</b>	<b>WATTAGE ( 5 in Diameter)</b>	
9WS	9W, 7W, 5W Selectable	
12WS	12W, 9W, 6W Selectable	
	<b>WATTAGE ( 9 in Diameter)</b>	
16WS	16W, 12W, 9W Selectable	

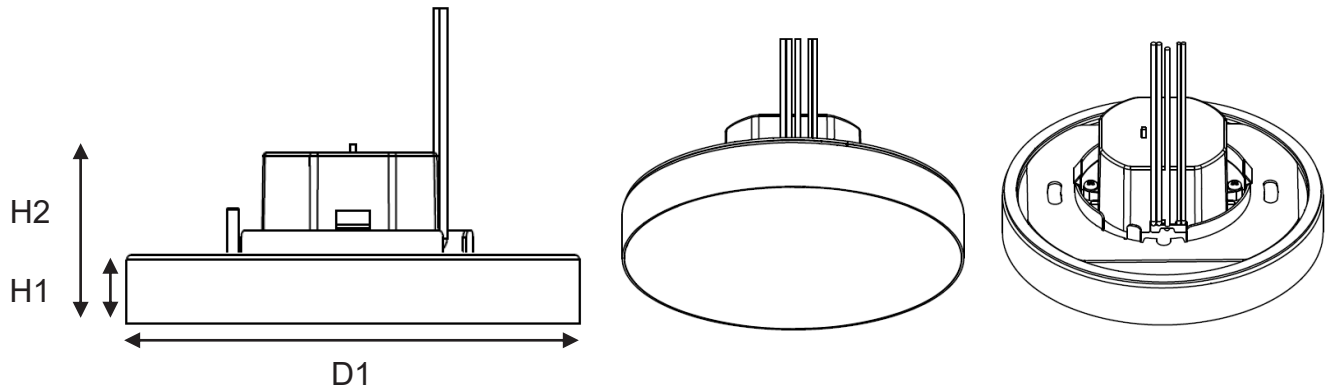
<b>D</b>	<b>CCT</b>	
CS	27K, 30K, 35K, 40K, 50K Selectable	
<b>E</b>	<b>VOLTAGE</b>	
UNV	120-277V	
120	120 V only (Use for TRIAC dimming)	
<b>F</b>	<b>DRIVER FEATURES</b>	
TRIAC	TRIAC Dimming ( 120V Only )	
10V	0-10V Dimming ( UNV Only )	
<b>G</b>	<b>FINISH</b>	
WH	White Finish	

<b>H</b>	<b>OPTIONS</b>	
(Blank)	No Control Options	
EM4	4W Emergency Batt. Back Up	
<b>I</b>	<b>WARRANTY<sup>2</sup></b>	
-	5 Year Warranty	
10	10 Year Warranty	
10L	10 Year Warranty including labor	

<sup>1</sup>Delivered Lumens (4000K)

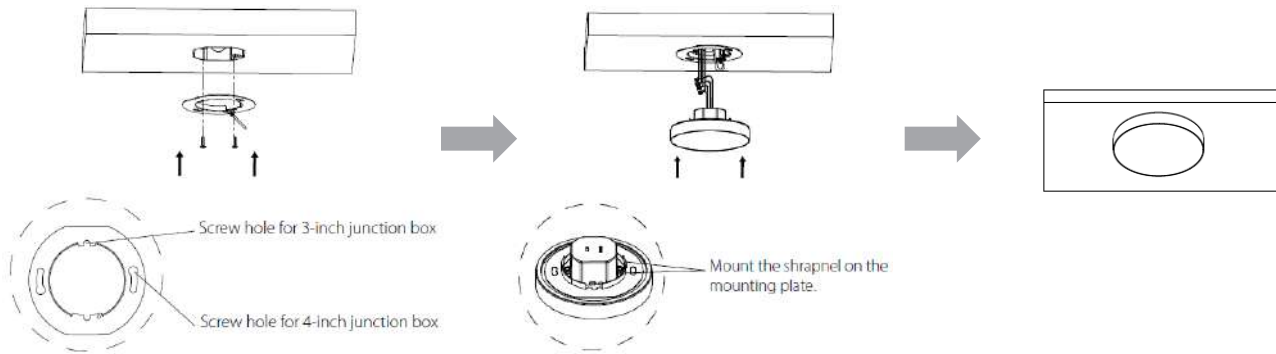
<sup>2</sup> 5 Year Warranty is Standard unless specified

**DIMENSIONS**



Size	D1	H1	H2
5in round	131.5mm/D5.18"	20mm/0.79"	51mm/2"
9in round	215mm/D8.46"	20mm/0.79"	51mm/2"

**INSTALLATION DIAGRAM**

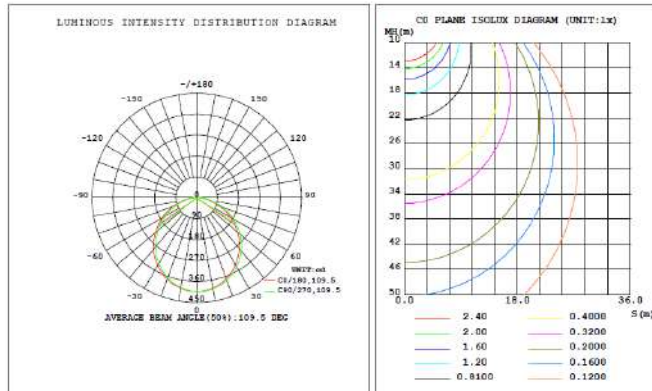


**OTHER VIEW**



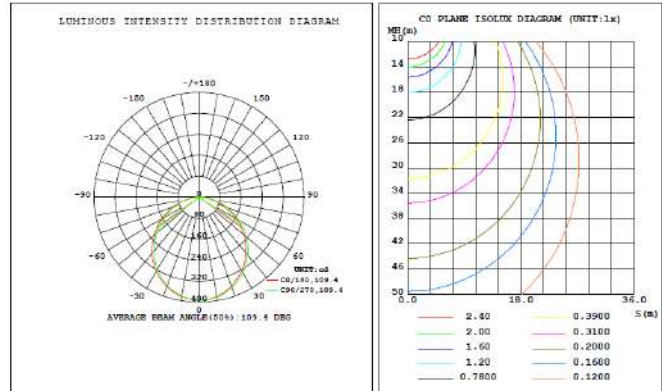
**RSDL/5/12WS/CS/UNV/WH @ 3000K**

DATA OF LAMP		PHOTOMETRIC DATA				Eff: 98.63 lm/W
MODEL		Imax(cd)	403.3	S/MH(C0/180)	1.24	
NOMINAL POWER(W)	11	LOR(%)	100.0	S/MH(C90/270)	1.21	
RATED VOLTAGE(V)	120	TOTAL FLUX(lm)	1126.7	$\eta$ UP, DN(C0-180)	0.0, 51.7	
NOMINAL FLUX(lm)	1126.67	CIE CLASS	DIRECT	$\eta$ UP, DN(C180-360)	0.0, 48.3	
LAMPS INSIDE	1	$\eta$ up(%)	0.0	CIBSE SHR NOM	1.25	
TEST VOLTAGE(V)	120	$\eta$ down(%)	100.0	CIBSE SHR MAX	1.35	



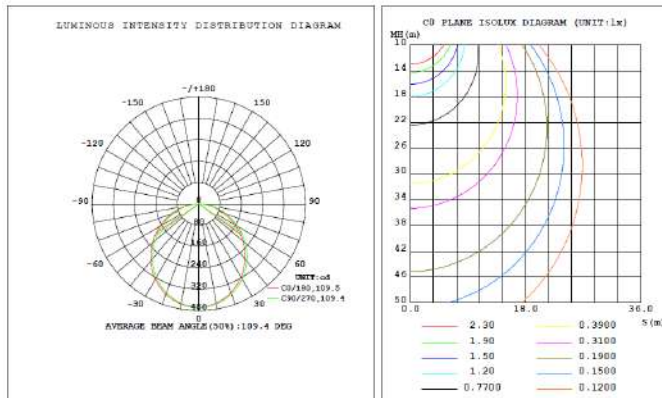
**RSDL/5/12WS/CS/120/WH @ 3000K**

DATA OF LAMP		PHOTOMETRIC DATA				Eff: 91.29 lm/W
MODEL		Imax(cd)	392.6	S/MH(C0/180)	1.24	
NOMINAL POWER(W)	12	LOR(%)	100.0	S/MH(C90/270)	1.21	
RATED VOLTAGE(V)	120	TOTAL FLUX(lm)	1094.7	$\eta$ UP, DN(C0-180)	0.0, 51.5	
NOMINAL FLUX(lm)	1094.66	CIE CLASS	DIRECT	$\eta$ UP, DN(C180-360)	0.0, 48.5	
LAMPS INSIDE	1	$\eta$ up(%)	0.0	CIBSE SHR NOM	1.25	
TEST VOLTAGE(V)	120	$\eta$ down(%)	100.0	CIBSE SHR MAX	1.35	



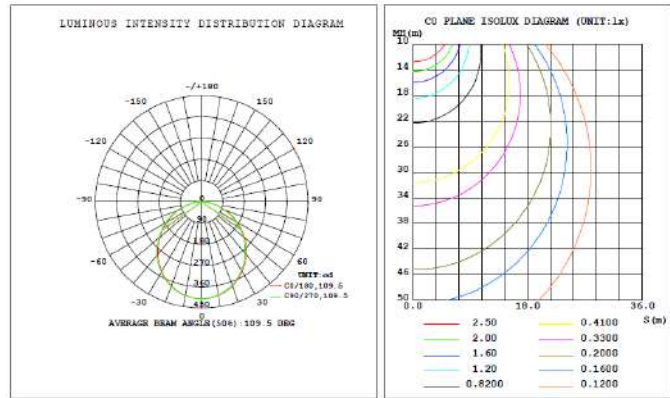
**RSDL/5/12WS/CS/UNV/WH @ 2700K**

DATA OF LAMP		PHOTOMETRIC DATA				Eff: 93.68 lm/W
MODEL		Imax(cd)	397.3	S/MH(C0/180)	1.25	
NOMINAL POWER(W)	11	LOR(%)	100.0	S/MH(C90/270)	1.22	
RATED VOLTAGE(V)	120	TOTAL FLUX(lm)	1081.1	$\eta$ UP, DN(C0-180)	0.0, 50.5	
NOMINAL FLUX(lm)	1081.12	CIE CLASS	DIRECT	$\eta$ UP, DN(C180-360)	0.0, 49.5	
LAMPS INSIDE	1	$\eta$ up(%)	0.0	CIBSE SHR NOM	1.25	
TEST VOLTAGE(V)	120	$\eta$ down(%)	100.0	CIBSE SHR MAX	1.35	



**RSDL/5/12WS/CS/120/WH @ 2700K**

DATA OF LAMP		PHOTOMETRIC DATA				Eff: 96.29 lm/W
MODEL		Imax(cd)	409.7	S/MH(C0/180)	1.24	
NOMINAL POWER(W)	12	LOR(%)	100.0	S/MH(C90/270)	1.25	
RATED VOLTAGE(V)	120	TOTAL FLUX(lm)	1144.2	$\eta$ UP, DN(C0-180)	0.0, 49.1	
NOMINAL FLUX(lm)	1144.24	CIE CLASS	DIRECT	$\eta$ UP, DN(C180-360)	0.0, 50.9	
LAMPS INSIDE	1	$\eta$ up(%)	0.0	CIBSE SHR NOM	1.25	
TEST VOLTAGE(V)	120	$\eta$ down(%)	100.0	CIBSE SHR MAX	1.35	



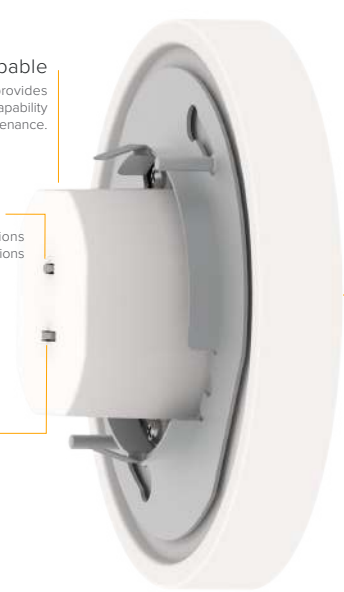
**SEE THE LIGHT, NOT THE FIXTURE**

The first time you turn on a RSDL, you won't believe it's not a recessed downlight. Here's why:

**Compact and Capable**  
Proprietary driver provides down to 10% dimming capability and simplifies maintenance.

**Power Selectable**  
9WS - 9W, 7W, 5W Selections  
12WS - 12W, 9W, 6W Selections

**CCT Selectable**  
27K, 30K, 35K, 40K, 50K  
CCT Selections



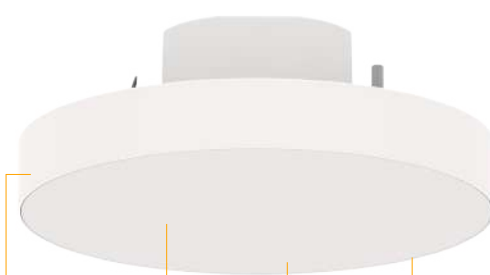
**Premier Quality Light Engine**  
90+ CRI LED comes standard, and produces up to 1000 lumens of exceptional color rendering.

**Designed to Disappear**  
Extends just 0.6" below the ceiling with a minimal visual profile.

**Barely-There Bezel**  
Elegant, minimal design blends seamlessly into the ceiling

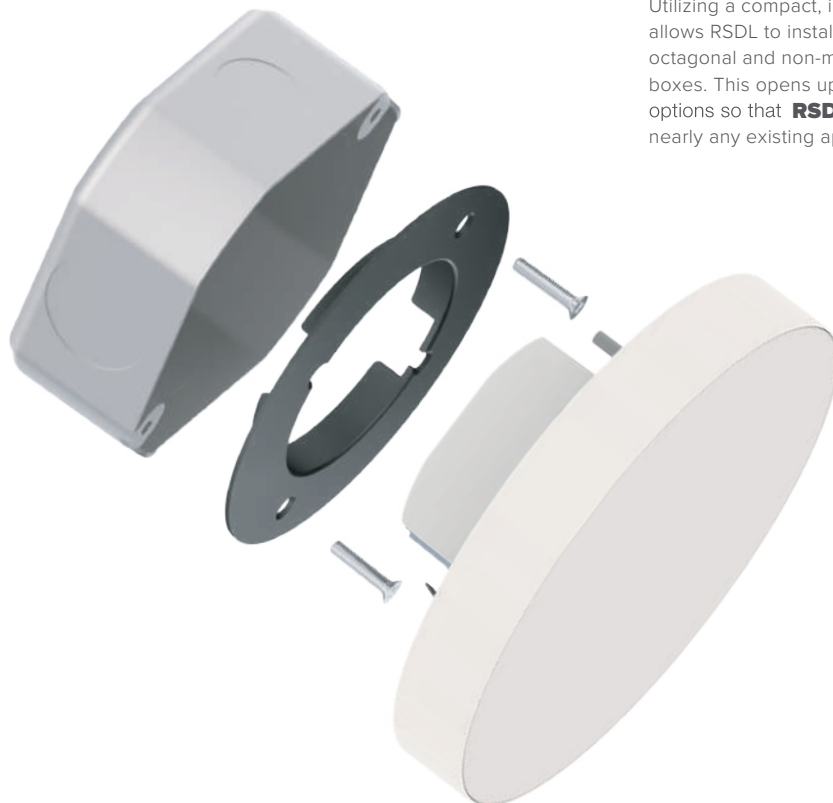
**Flawless Brilliance**  
Precisely optimized LED array delivers smooth, uniform illumination with no visible fasteners or dark spots

**Clearly Different**  
Specialized lens transmits clear, beautiful light with a subtle diffuser.



**COMPATIBILITY BY DESIGN**

RSDL is engineered to install into a wide range of junction boxes



**More installation options**

Utilizing a compact, integrated driver allows RSDL to install into most metallic octagonal and non-metallic round junction boxes. This opens up greater installation options so that **RSDL** can be retrofit into nearly any existing application.